



**SUN VALLEY ELECTRIC MFG., INC.**  
**1334 N. 21 ST. AVE. PHX. AZ. 85009**  
 602-258-6448 FAX# 602-254-6923

\*U.L. LISTED DEADFRONT SWITCHBOARD E84151  
 \*NEMA 3R RATED UNLESS NOTED OTHERWISE  
 \*ALUMINUM BUS WITH ALSTAN 80 PLATING  
 \*ANSI 61 LIGHT GREY POWDER COATED FINISH

JOB ADDRESS: -

DATE:

CONTRACTOR:

DISTRIBUTOR:

P.O. NUMBER:

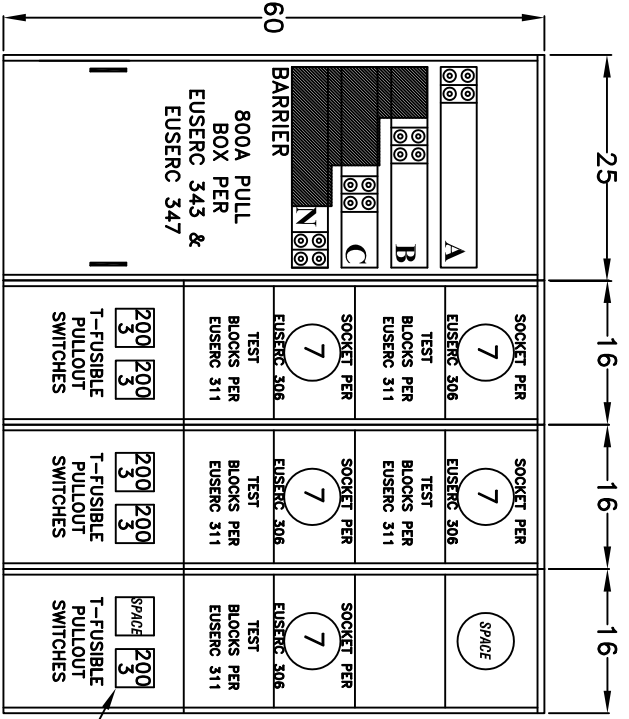
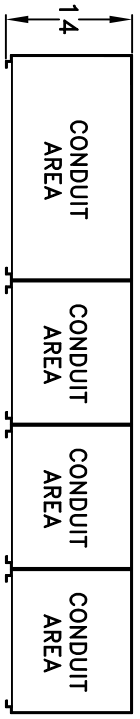
SVE S.O. #:

VOLTAGE: 480/277V 3PH/4W 800AMP

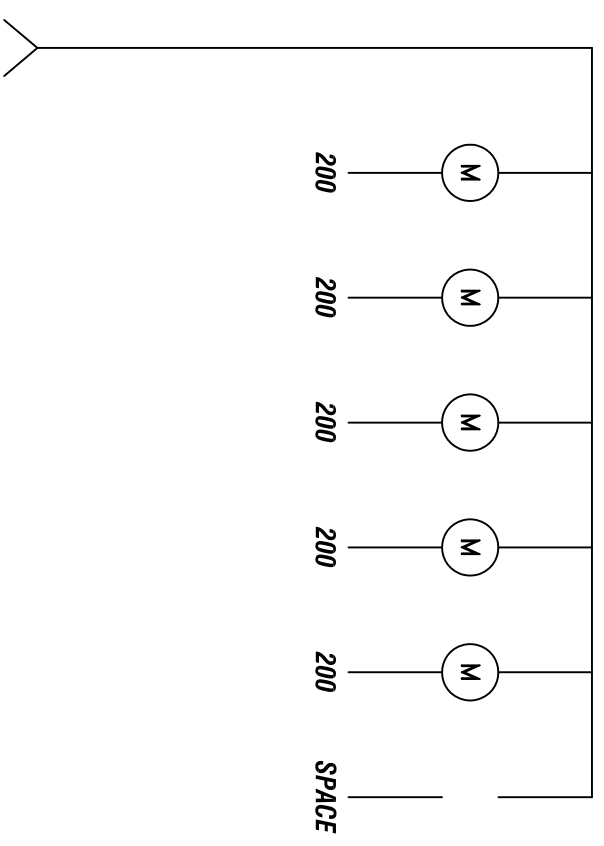
UTILITY:

AIC: 100KAIC

*underground pull sections may be field installed either left or right  
 meter sections may be field installed in any position*



SVPB800-4    SVWSM22-4    SVWSM22-4    SVWSM02-4



PAD LOCKABLE COVERS

WALL MT UNDERGROUND FEED