



**SUN VALLEY ELECTRIC MFG., INC.**  
 1334 N. 21 ST. AVE. PHX. AZ. 85009  
 602-258-6448 FAX# 602-254-6923

\*U.L. LISTED DEADFRONT SWITCHBOARD E84151  
 \*NEMA 3R RATED UNLESS NOTED OTHERWISE  
 \*ALUMINUM BUS WITH ALSTAN 80 PLATING  
 \*ANSI 61 LIGHT GREY POWDER COATED FINISH

JOB ADDRESS: -

DATE:

CONTRACTOR:

DISTRIBUTOR:

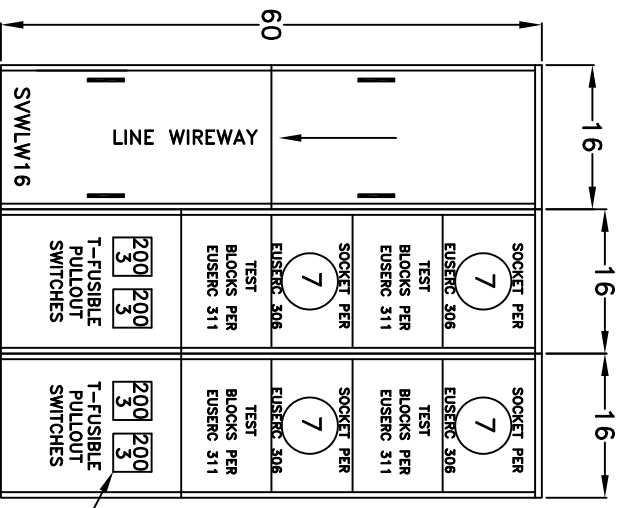
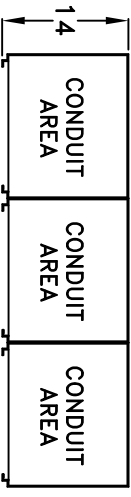
P.O. NUMBER:

SVE S.O. #:

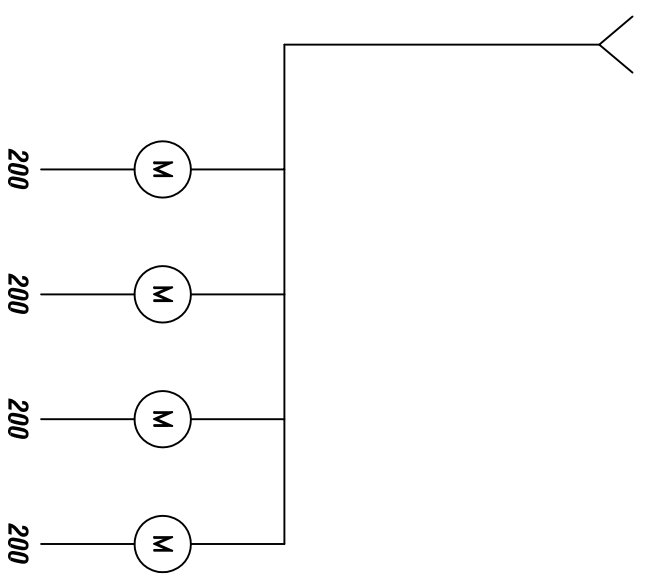
VOLTAGE: 240/120V DELTA 3PH/4W 800AMP

UTILITY:

AIC: 100KAIC



PAD LOCKABLE COVERS



WALL MT OVERHEAD FEED

SWWSM22-13 SWWSM22-13