



SUN VALLEY ELECTRIC MFG., INC.
 1334 N. 21 ST. AVE. PHX. AZ. 85009
 602-258-6448 FAX# 602-254-6923

*U.L. LISTED DEADFRONT SWITCHBOARD E84151
 *NEMA 3R RATED UNLESS NOTED OTHERWISE
 *ALUMINUM BUS WITH ALSTAN 80 PLATING
 *ANSI 61 LIGHT GREY POWDER COATED FINISH

JOB ADDRESS: -

-

CONTRACTOR:

DISTRIBUTOR:

P.O. NUMBER:

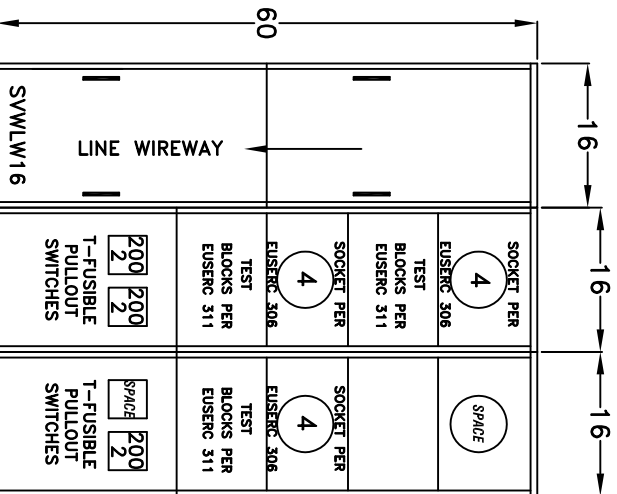
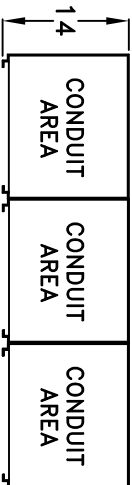
SVE S.O. #:

VOLTAGE: 120/240V 1PH/3W 600AMP

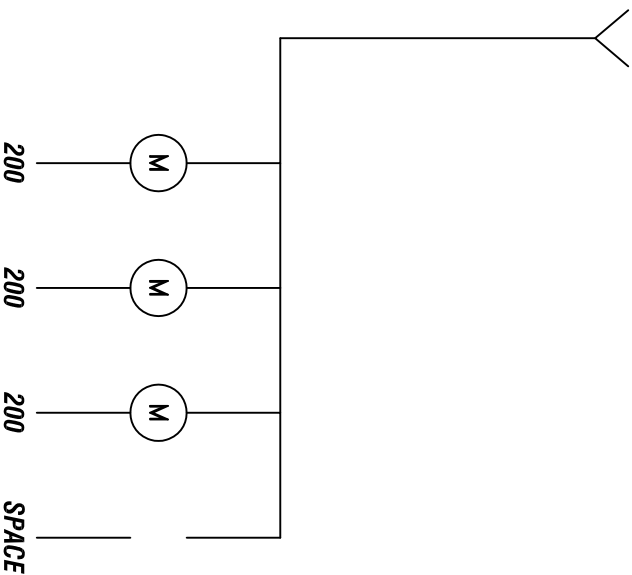
DATE:

UTILITY:

AIC: 100KAIC



SVWSM22-1 SVWSM02-1



WALL MT OVERHEAD FEED