



SUN VALLEY ELECTRIC MFG., INC.
 1334 N. 21 ST. AVE. PHX. AZ. 85009
 602-258-6448 FAX# 602-254-6923

*U.L. LISTED DEADFRONT SWITCHBOARD E84151
 *NEMA 3R RATED UNLESS NOTED OTHERWISE
 *ALUMINUM BUS WITH ALSTAN 80 PLATING
 *ANSI 61 LIGHT GREY POWDER COATED FINISH

JOB ADDRESS: -

DATE:

CONTRACTOR:

DISTRIBUTOR:

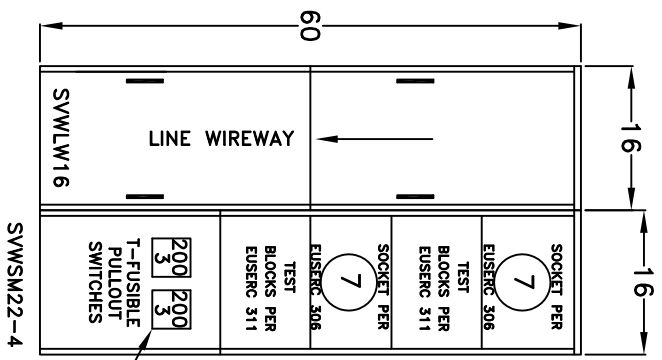
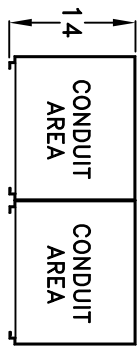
P.O. NUMBER:

SVE S.O. #:

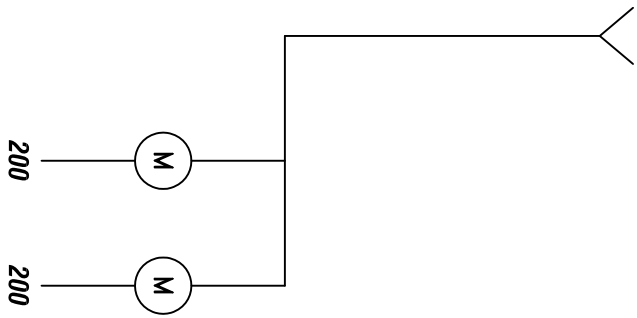
VOLTAGE: 480/277V 3PH/4W 400AMP

UTILITY:

AIC: 100KAIC



PADLOCKABLE COVER



WALL MOUNT
 OVERHEAD FEED