



**SUN VALLEY ELECTRIC MFG., INC.**  
**1334 N. 21 ST. AVE. PHX. AZ. 85009**  
 602-258-6448 FAX# 602-254-6923

\*U.L. LISTED DEADFRONT SWITCHBOARD E84151  
 \*NEMA 3R RATED UNLESS NOTED OTHERWISE  
 \*ALUMINUM BUS WITH ALSTAN 80 PLATING  
 \*ANSI 61 LIGHT GREY POWDER COATED FINISH

JOB ADDRESS: -

DATE:

CONTRACTOR:

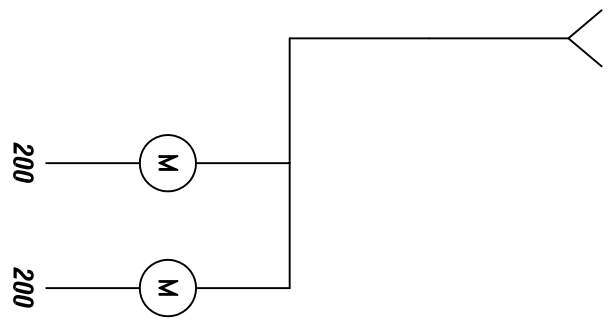
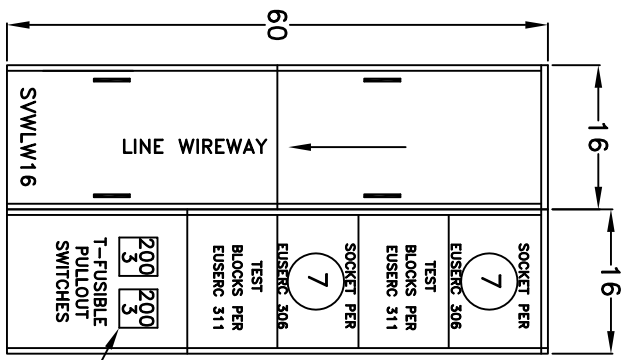
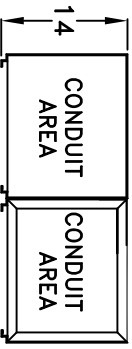
DISTRIBUTOR:

P.O. NUMBER:

SVE S.O. #:

VOLTAGE: 240/120V DELTA 3PH/4W 400AMP

UTILITY:  
AIC: 100KAIC



WALL MOUNT  
OVERHEAD FEED