



SUN VALLEY ELECTRIC MFG., INC.
1334 N. 21 ST. AVE. PHX. AZ. 85009
 602-258-6448 FAX# 602-254-6923

*U.L. LISTED DEADFRONT SWITCHBOARD E84151
 *NEMA 3R RATED UNLESS NOTED OTHERWISE
 *ALUMINUM BUS WITH ALSTAN 80 PLATING
 *ANSI 61 LIGHT GREY POWDER COATED FINISH

JOB ADDRESS: -

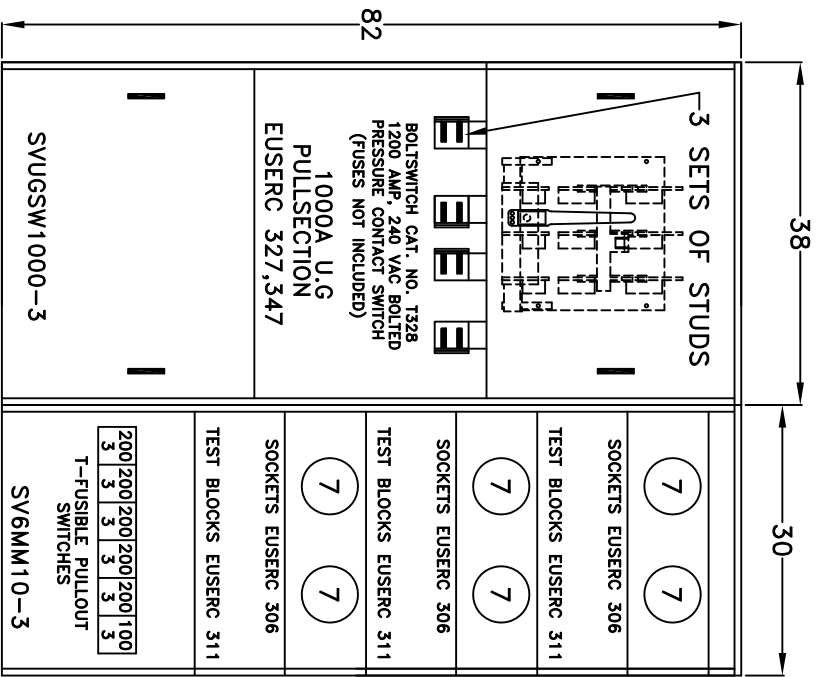
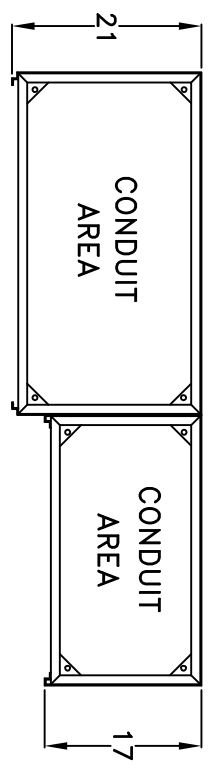
DATE:

CONTRACTOR:

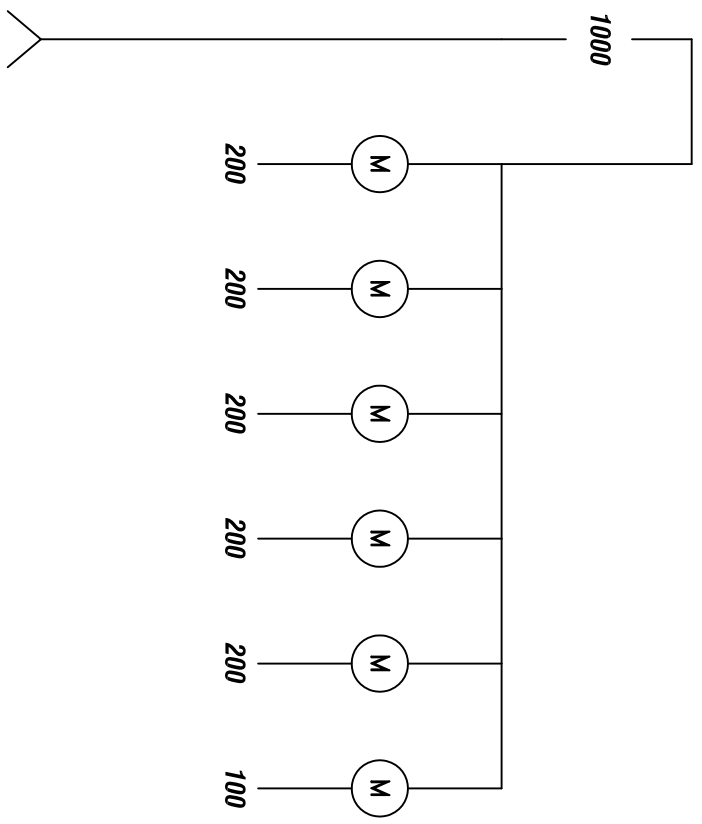
DISTRIBUTOR:

P.O. NUMBER:
 SVE S.O. #:
 VOLTAGE: 208/120V 3PH/4W 1000AMP

UTILITY:
 AIC: 100KAIC



*underground pull sections may be field installed either left or right
 meter sections may be field installed in any position*



NEMA 1 INDOOR
 PAD MOUNT
 UNDERGROUND FEED