

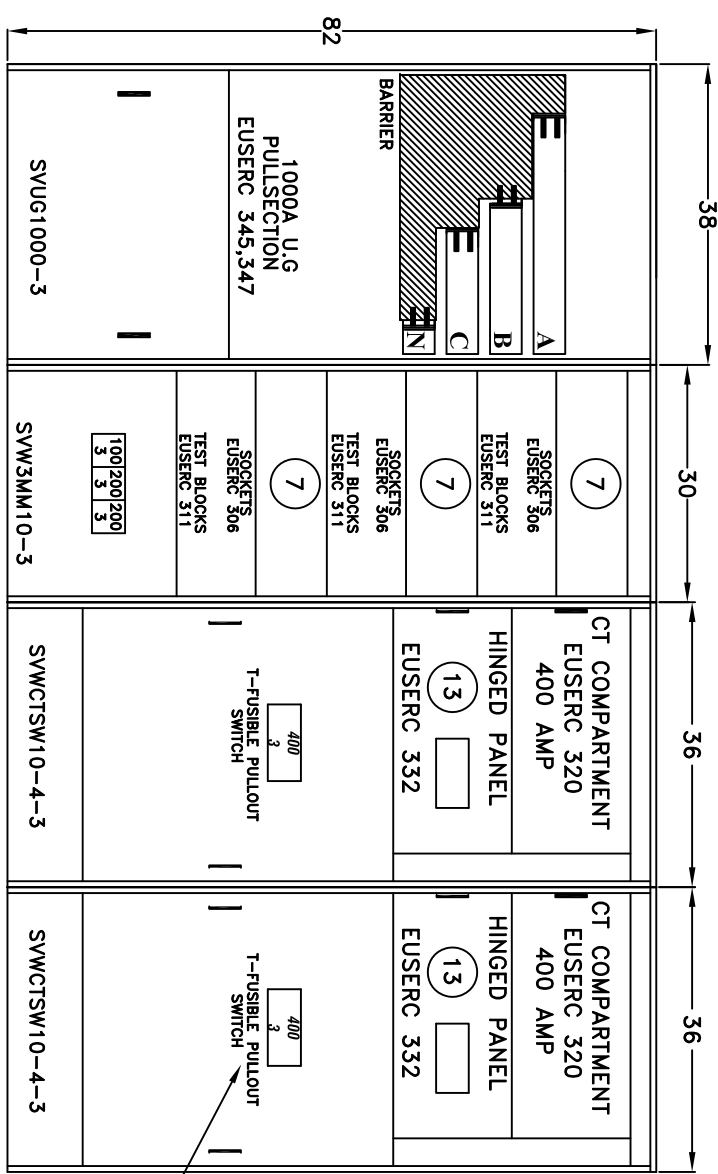
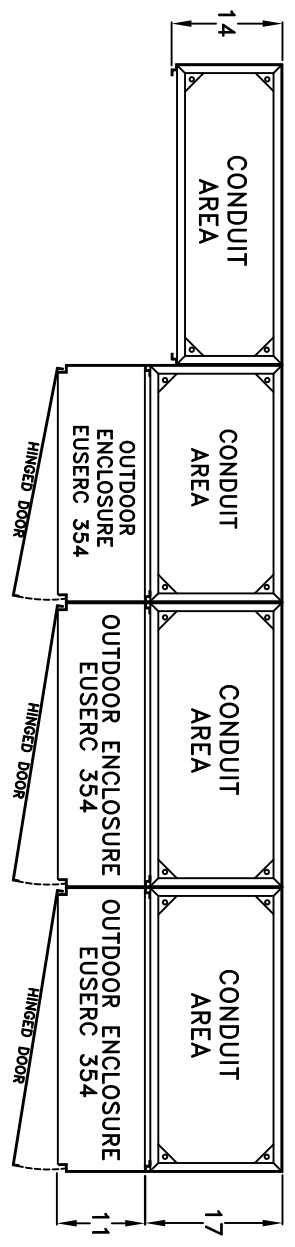


SUN VALLEY ELECTRIC MFG., INC.
1334 N. 21 ST. AVE. PHX. AZ. 85009
 602-258-6448 FAX# 602-254-6923

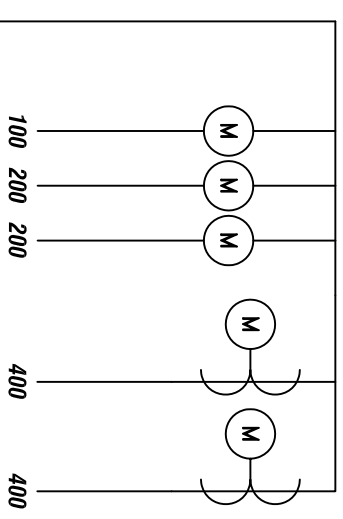
*U.L. LISTED DEADFRONT SWITCHBOARD E84151
 *NEMA 3R RATED UNLESS NOTED OTHERWISE
 *ALUMINUM BUS WITH ALSTAN 80 PLATING
 *ANSI 61 LIGHT GREY POWDER COATED FINISH

JOB ADDRESS: -
CONTRACTOR: -
DISTRIBUTOR: -
P.O. NUMBER: -
SVE S.O. #: -
VOLTAGE: 208/120V 3PH/4W 1000AMP

DATE: _____
UTILITY: _____
AIC: 100KAIC



*Underground pull sections may be field installed either left or right
 meter sections may be field installed in any position*



PAD LOCKABLE COVERS

PAD MOUNT
 UNDERGROUND FEED